

# SHIBUYA

## **BLU-DRILL** SERIES

Product Brochure

- Diamond Core Drilling Machines
- Optional Accessories
- Diamond Core Bits

 **SHIBUYA COMPANY, LTD.**

5-86 Mokuzaiko-kita, Hatsukaichi, Hiroshima 738-0021 JAPAN    [www.shibuya-group.co.jp](http://www.shibuya-group.co.jp)  
Specifications and products appearances are subject to change without prior notice.



**BLU-DRILL** SERIES

Product Image

**SHIBUYA**

**"Simplicity  
is the ultimate  
Sophistication."** *-Leonardo da Vinci*

Experience the Simplicity.  
Discover the Difference.  
Exceed Expectations.

# ABOUT: SHIBUYA



The unique feature of SHIBUYA Company is its in-house researching, designing, producing, and promoting of both diamond tools and diamond tool machines. This integrated in-house system has enabled the company to optimize the overall improvement in activities which furthermore leads to specializing in the field and meeting with clients' needs and expectations.

Since 1969, we have accumulated the know-how of cutting concrete, steel rebar, stones, and other building materials to share with our clients worldwide. Solutions that can make clients' jobs done safer, easier, faster and better.

Now SHIBUYA Diamond Core Drilling Machines and Diamond Tools are used in more than 30 countries.

We will keep updating the industry-worldwide standard.

SHIBUYA HIROSHIMA FACTORY

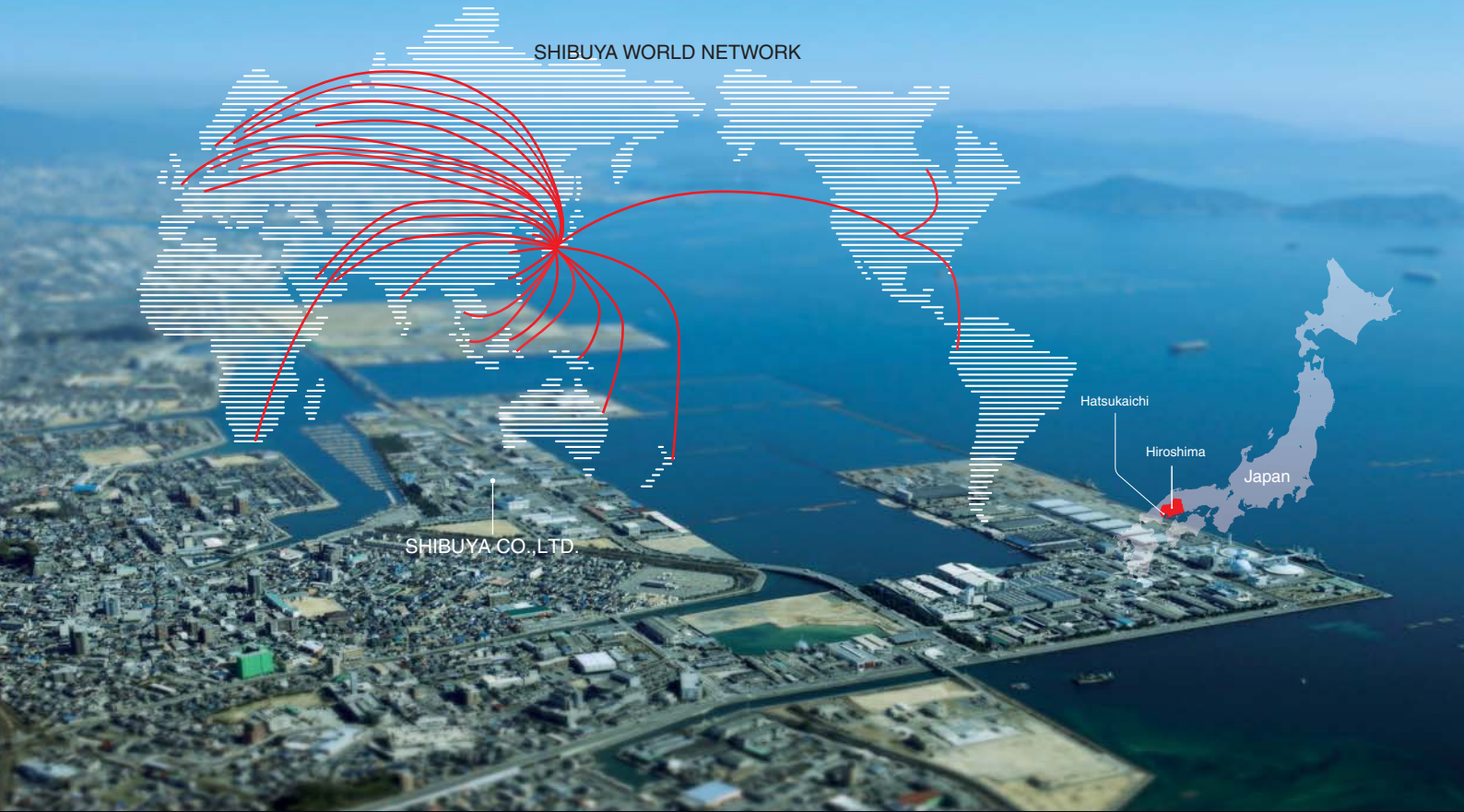


SHIBUYA R&D TEAM ROOM



ISO9001 : 2008 Approved





## SHIBUYA WORLD PARTNERS

**The American Continent:**  
DITEQ Corporation  
9876 Pelumm Rd, Lenexa, KS.  
66215  
USA  
[www.diteq.com](http://www.diteq.com)

**The United Kingdom:**  
Dymatec  
358 Selbourne Road  
Luton  
Bedfordshire, LU4 8NU.  
United Kingdom  
[www.dymatecuk.com](http://www.dymatecuk.com)

**Diaquip**  
Unit 1, Whitefield Road Ind. Est,  
Bredbury, Stockport SK6 2QR.  
United Kingdom  
[www.diaquip.co.uk](http://www.diaquip.co.uk)

**New Zealand:**  
OML Diamond  
48 Waverley Road  
RD 3, Napier 4183  
New Zealand  
[www.omldiamond.com](http://www.omldiamond.com)

**Australia:**  
DIATEQ  
3/50 Kremzow Road, Brendale  
QLD 4500 Australia  
[www.concretcutting.com.au](http://www.concretcutting.com.au)

**Russia:**  
Prof Tekh Instrument Llc  
121351, Russia, Moscow, Str.  
Ivana Franceko 38, Build. 4  
[www.tool-pro.ru](http://www.tool-pro.ru)

**Poland:**  
Beton Technik  
Ul.28 Czerwca 56r. Nr.159/1, 61-  
505 Poznan  
[www.beton-technik.pl](http://www.beton-technik.pl)

**Turkey:**  
Powermak Makine  
Dudullu OSB İmes San. Sitesi 206 Sok. B Blok  
No: 35 34775 Y. Dudullu – Ümraniye / Istanbul  
[www.powermak.com.tr](http://www.powermak.com.tr)

**South Korea:**  
Kwang Duck Construction  
Company  
30, 1F, Dogmag-ro, 40-Gil, Mapo-  
Gu, Seoul, Korea  
[www.kdbestway.com](http://www.kdbestway.com)

**Hong Kong:**  
Enco Limited  
C3 1/F, Lucky Horse Industrial  
Bldg., 64 Tong Mi Road, Kowloon  
Hong Kong  
[www.enco.com.hk](http://www.enco.com.hk)

**Taiwan:**  
Yih Sui Metal & Tools Corp.  
The 1Fl., No.17, Ln.143, Chengte  
Rd., Sec.3, Taipei, Taiwan

**Singapore:**  
Teesin Machinery (Pte) Ltd  
11 Senoko Avenue  
Singapore  
[www.teesin.com.sg](http://www.teesin.com.sg)

**Malaysia:**  
Coolman Malaysia Sdn Bhd  
35, Jalan 3/108C, Taman Sungai  
Besi 57100 Kuala Lumpur,  
Malaysia  
[coolman.com.my](http://coolman.com.my)

**U.A.E.:**  
Diamond Tools Trading (Fzc)  
Sharjah Airport Free Zone,  
P.O.Box 120493, Sharjah, U.A.E.

**Kingdom of Saudi Arabia:**  
Saeed Mohamed Busuliman Est. for  
Trading  
Building No. 3118, Omar Al-Mokhtar Street  
(Rail St.), Unit No.6, AR Riyadh, 12644-  
7496, Saudi Arabia

**Gulf Diameter Est. for Trading**  
P.O.Box 1820, Dammam, 31441  
Saudi Arabia  
[www.gulfdiameter.com](http://www.gulfdiameter.com)

**South Africa:**  
Diamond Products Cape (Pty)  
Ltd  
Unit 14 Northlake Industrial Park,  
Malcolm Moodie Crescent, Jet  
Park, South Africa  
[www.diamondpc.co.za](http://www.diamondpc.co.za)

**France:**  
Peuvrel Outils Diamantes (SAS)  
35 Rue La Maison-Neuve, 35270  
Bonnemain, France  
[www.peuvrel.com](http://www.peuvrel.com)

**Denmark:**  
J.D. Diamond Tools A/S  
Glentevej 33, DK-4600, Koge,  
Denmark  
[www.jd-diamant.dk/](http://www.jd-diamant.dk/)

**Finland:**  
Levanto Oy  
Venevalkamantie 5, FI-02700  
Kauniainen  
[www.levanto.fi](http://www.levanto.fi)

**Norway:**  
Constec Scan-diamant As  
Per Krohgs Vei 4c, 1065, Oslo,  
Norway  
[www.conscan.no](http://www.conscan.no)

**Sverre Hellum & Sonn As**  
Jerikoveien 28d, 1067, Oslo, Norway  
Karls XV gate 19, Sjøsenderet Vallo  
3150 Tolvsrød Norway  
[www.hellumdiamant.com](http://www.hellumdiamant.com)

**Estonia:**  
Diamondtec Ou  
Kalmistu Tee 28 D, 11216,  
Tallinn, Estonia  
[www.diamondtec.ee](http://www.diamondtec.ee)

**Romania:**  
Antrepriza Contracton Srl  
STR. FRUMUSANI,NR. 12,  
BL. 100, AP 63,SECTOR 4,  
BUCURESTI,041966,  
<http://www.carotarebeton.ro>

**Thailand:**  
Thai Seng Trading Co., Ltd.  
122/31 MOO 6, TAMBON BANGPHRIANG,  
AMPHUR BANGBO, SAMUTPRAKARN  
10560  
[www.thaiseng.co.jp](http://www.thaiseng.co.jp)

**Indonesia:**  
Pt. Sarana Jaya Nusasentosa  
Jl. Kh. Zainul Arfin No. 7-0,  
Jakarta - Pusat, 10130, Indonesia

**Philippine:**  
Siccion Marketing, Inc.  
2nd floor CBS Bldg.,  
1800 A Mendoza St., Sampaloc,  
Manila 1008 Philippines  
[www.smi-group.com.ph](http://www.smi-group.com.ph)

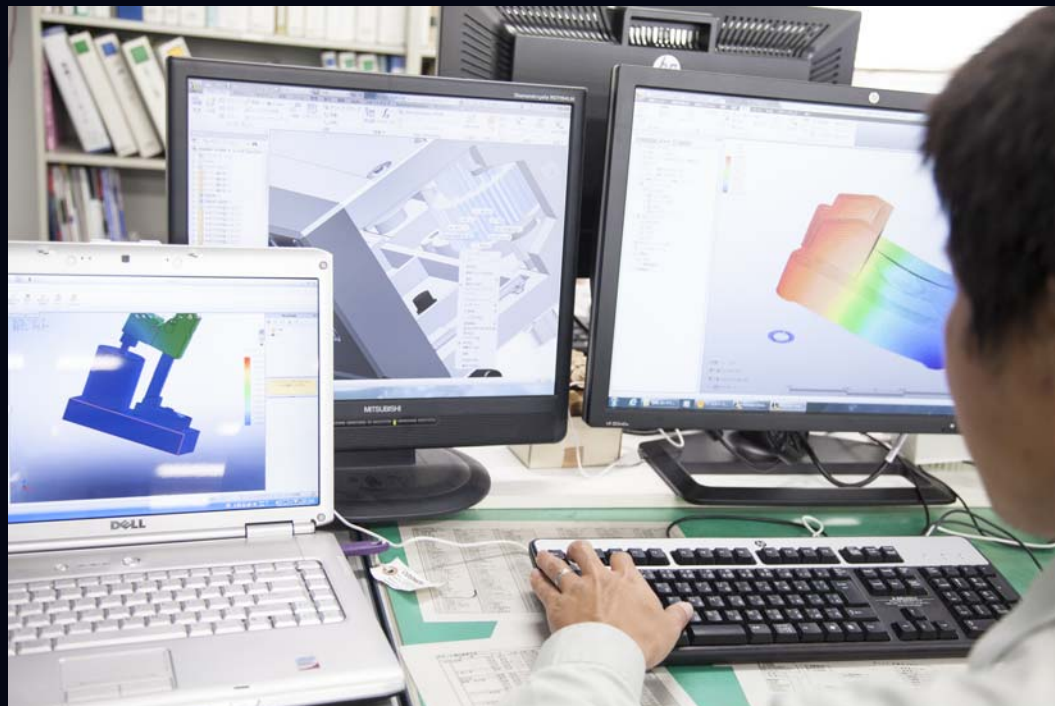
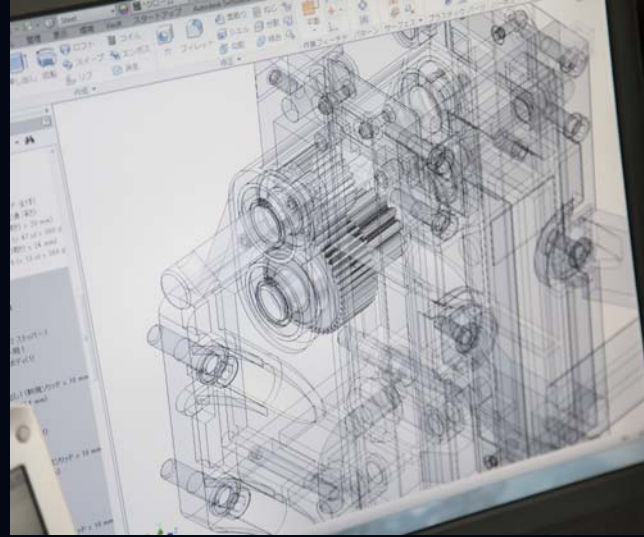
**Israel:**  
Syrox Israel ltd  
Hasat St. No 9, BL. 100, AP 63,  
Sector 4, Einav Industrial Park  
Modiin, 7177700, Israel  
[www.syrox.co.il](http://www.syrox.co.il)

**SHIBUYA** IS LOOKING FOR  
**DISTRIBUTORS WORLDWIDE**



## R&D TEAM: PASSION FOR INNOVATIONS

Everything starts from an idea. Communication and discussion among our engineers make the ideas more concrete and sophisticated. From rough drawings on scratch papers, we are utilizing 3 dimensional CAD and structural analysis on computers to design and test machines and tools.



## PRODUCTION TEAM: PASSION OF HANDCRAFTS

Every complete Shibuya product is assembled by our artisans. To meet with each single client's needs, we carry out the hand craftsmanship, rather than go for the automated mass production. Our artisans are always thinking about how to bring higher customer satisfactions of owning and using Shibuya products while making them.



## QUALITY CONTROL TEAM: THE TRUE PRIDE OF "MADE IN JAPAN"



We are taking extra care about the products' quality control. The way we are doing it is just like a Japanese car manufacturer, we are adapting the same procedure of quality control. If you have someone who are using Shibuya products near by, ask them about the reliability and durability of Shibuya products. We are pretty sure that you will get a positive answer.

Each complete Shibuya product has its serial number. The serial number provides a perfect traceability. By just informing us the number we know when and who made the product, so that we can offer you good services.

## DIAMOND SEGMENT SINTERING: OUR TOP-SECRET TECHNOLOGY

This is the only picture we can show about our process of making diamond tools. The ingredients of our diamond segment are kept top secret.

Prices of our diamond tool may be three to four times higher than other Asian countries' products. Why do we get orders then? Because our diamond tools are very reliable for professional concrete cutters. By going through more than 40 years of trial and error making diamond segments, we have finally acquired confidence that we are one of the world top class diamond tools manufacturers.



## TESTING: IN THE REALITY

We do not want ending with building castles in the clouds. Testing on computers is not enough for us. We use our machines and tools by ourselves to see what the real tasks and problems are regarding making holes on concrete in any directions.

Moreover, all our complete core drilling machines are tested by third parties such as TÜV to ensure the safety of operators.

We are testing both machines and diamond tools everyday to improve the quality of both of them. This task will never be ended.



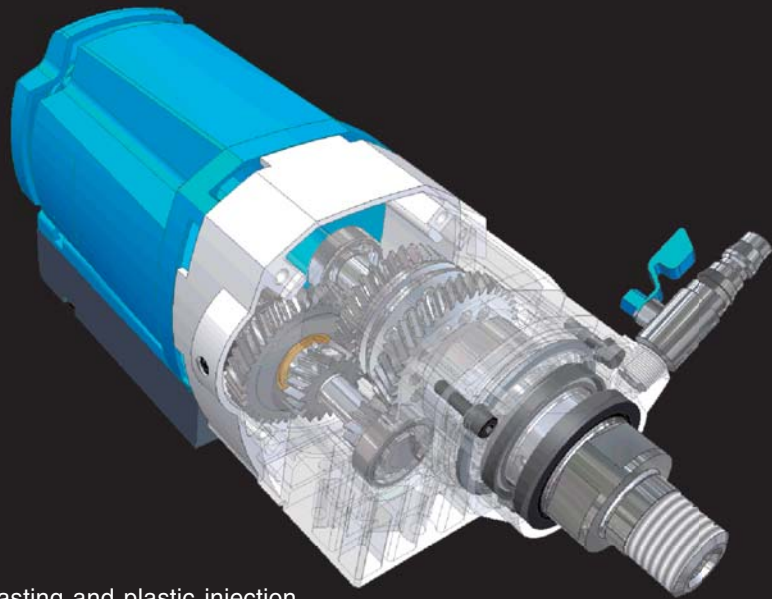
## THE CONCEPT

- High durability with Light weight.
- High power from Small-sized motor.
- Less noise with High cooling capacity.

The demands from clients have often contradicted engineering possibilities. However, once the targets became clear, SHIBUYA have made every effort to knuckle down and achieve them. The keyword is “NO COMPROMISE” believing that we can overcome the difficulties without sacrificing anything.

-High durability with Light weight.

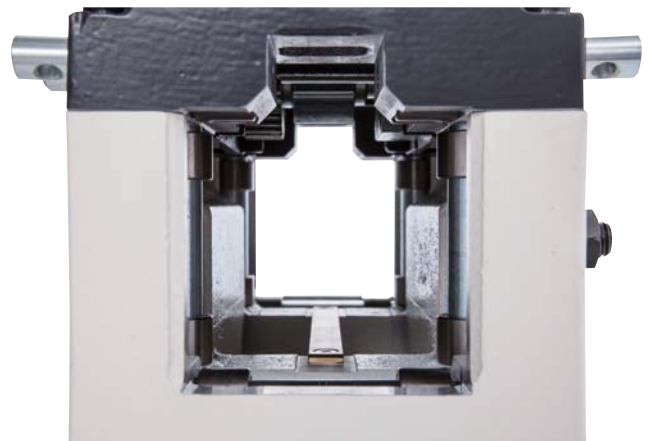
Utilizing advanced molding technology, pressurized die-casting and plastic injection reduced external parts' weight. To reduce the weight inside the gearbox, holes are drilled in every possible gear, the slip discs for the clutch are relocated at the recess of a gear, and the spindle shaft has a hollow structure. We have achieved these weight reductions without sacrificing any durability. The reason we can perform these tasks is we have more than 40 years of experience making diamond core drilling machines. We know which part we can apply weight reduction without sacrificing durability.



Hybrid Column

A hybrid extruded steel outer shell combined with an aluminum core to make the column high rigid, durable and lightweight. This feature is standard on models TS-132, TS-162, TS-402, TS-403, and TS-603 with fixed base.

### 2 & 4 Sided Rollers on the Carriage Block



The motor's carriage block runs on durable steel rollers as opposed to the friction plates used in the old models. Reduce drag, abrasion and wear on the carriage block and column while benefiting from smoother feeds and higher rigidity. The picture shown in the above is TS-603 4-sided rollers. The other models use 2-sided rollers system.



# BLU-DRILL SERIES

Product Features

SHIBUYA



The motor ventilation system is designed to prevent water from flowing inside the motor with effective air cooling capacity.



The circuit protector is conveniently located on the drill and features motor overload protection.



RCD cuts off the electricity when it detects electric leakage. (Standard feature for 220-240V machine only.)

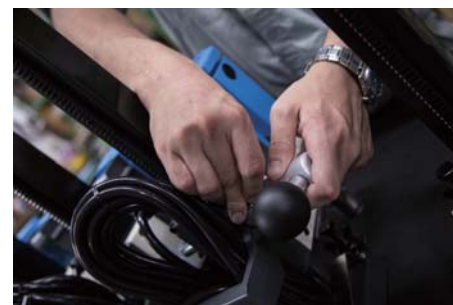


The water inlet valve swivels 360° to allow easy water hose connection even in the tightest work places.



The water ring and storable spring-tension water ring clamps as standard accessory for TS-092/132/162/182/252.

For the contents of tool kit for each model, please refer to page 22.



Move the feed handle on right or left side with ease to accommodate different working conditions. No tools necessary.

## Regional Differences

### Water Cock:

Left one is mainly used in Asian countries.

Right one is mainly used in Europe, America and Oceania area.



### Drill Motor Spindle Thread:

A-Rod: Left one is mainly used in Asian countries.

UNC 1 -1/4": Right one is mainly used in Europe, America and Oceania area.



**SHIBUYA COMPANY, LTD.**

5-86 Mokuzaiko-kita, Hatsukaichi, Hiroshima 738-0021 JAPAN

Specifications and products appearances are subject to change without prior notice.

# Stand: TS-092(AB42) Motor: R1011/R1012

## Maximum Bit Capacity: 120 mm ( 4")

### Applications and Features

- Compact and light machine for limited space jobs.
- Multi-position water swivel inlet for convenience.
- Right and left hand feed handle positions.
- Built-in on/off switch with low voltage drop-out and motor overload protection.
- Carrying handle for easy lifting.
- Portable Residual Current Device (P.R.C.D.) automatically shuts off electricity in the event of electric leakage. (220-240 V only)
- Two motor available: R1011 (Normal)/ R1012 (Small diameter).
- Angle drill stand (45 degree backward) as standard accessory.
- Normal Stand Column: 800 mm (31") with 557 mm (22") stroke.  
Case version Stand Column: 560 mm (22"). with 320mm (12") stroke.
- 40 x 40 mm (1-5/8" x 1-5/8") square column.
- Includes water collector ring.
- Tool kit including wrenches, allen keys, and core removal wedge lasso.
- Optional spindle adaptor for each countries' circumstances.



Standard AB42 swivel base

Carry case version



### Specifications

Height	805 mm / 568 mm (Case)
Base Size	146 x 200 mm
Available Stroke	557.5 mm / 320 mm (Case)
Rated Input	1,100 W
Voltage	AC 110-120 V / AC 220-240 V 50/60 Hz
Speed	1
Spindle Revolutions at No Load	970 rpm (R1011) / 1750 (R1012)
Spindle Revolutions at Rated Load	650 rpm (R1011) / 1150 (R1012)
Recommended Core Bit Diameter	60-120 mm (R1011) / 20-60 mm (R1012)
Spindle Thread	G1/2" (BSPP1/2") / A-Rod
Weight	9.6 kg (21.2lbs) / 8.9 kg (19.6 lbs) (Case)

## Stand: TS-132 Motor: R1511

Maximum Bit Capacity: 160 mm ( 6")

### Applications and Features

- Simple single speed motor.
- Multi-position water swivel inlet for convenience.
- Right and left hand feed handle positions.
- Built-in on/off switch with low voltage drop-out and motor overload protection.
- Carrying handle for easy lifting.
- Portable Residual Current Device (P.R.C.D.) automatically shuts off electricity in the event of electric leakage. (220-240 V only)
- Normal Stand Column: 800 mm (31") with 548 mm (21") stroke.  
Angle Drill AB52 Column: 1000 mm (39") with 748 mm (29") stroke.  
Case Version Column: 560+200 mm (30") with 508 mm (20") stroke.  
(with extension 200 mm column)
- 50 x 50 mm (2" x 2") square column.
- Includes water collector ring.
- Tool kit including wrenches and allen keys.



AB52 swivel base available as option

Carry case available as option



### Specifications

Height	803 mm / 1003 mm / 600 + 200 mm (Case)
Base Size	146 x 205 mm
Available Stroke	548 mm / 748 mm (L1003 mm) / 548 mm (Case)
Rated Input	1,500 W
Voltage	AC 110-120 V / AC 220-240 V 50/60 Hz
Speed	1
Spindle Revolutions at No Load	850 rpm
Spindle Revolutions at Rated Load	610 rpm
Recommended Core Bit Diameter	60-160 mm
Spindle Thread	UNC 1 -1/4" / A-Rod
Weight	R1511 motor: 5.9 kg / TS-132(L800): 7.1 kg / TS-132(AB52)(L1000): 9.4 kg

## Stand: TS-162 Motor: R1521/R1522

**Maximum Bit Capacity: 180 mm ( 7")**

### Applications and Features

- Ideal machine for small-middle size jobs.
- Multi-position water swivel inlet for convenience.
- Right and left hand feed handle positions.
- Two speed motor.
- Built-in on/off switch with low voltage drop-out and motor overload protection.
- Two motor available: R1521 (Normal) / R1522 (Small diameter).
- Portable Residual Current Device (P.R.C.D.) automatically shuts off electricity in the event of electric leakage. (220-240 V only)
- Includes water collector ring.
- Normal Stand Column: 800 mm (31") with 548 mm (21") stroke.  
Angle Drill AB52 Column: 1000 mm (39") with 748 mm (29") stroke.  
Case Version Column: 560+200 mm (30"). with 508 mm (20") stroke.  
(extension 200 mm column in use)
- 50 x 50 mm (2" x 2") square column.
- Tool kit including wrenches and allen keys.



AB52 swivel base available as option

Carry case available as option



### Specifications

Height	803 mm / 1003 mm / 600 + 200 mm (Case)
Base Size	146 x 205 mm
Available Stroke	548 mm / 748mm (L1003) / 548 mm (Case)
Rated Input	1,500 W
Voltage	AC 110-120 V / AC 220-240 V 50/60 Hz
Speed	2
Spindle Revolutions at No Load	700/1000 rpm (R1521) / 700/1400 rpm (R1522)
Spindle Revolutions at Rated Load	510/730 rpm (R1521) / 510/1000 rpm (R1522)
Recommended Core Bit Diameter	50 - 180 mm (R1521) / 30 - 180 mm (R1522)
Spindle Thread	UNC 1 -1/4" / A-Rod
Weight	R1521 motor: 6.9 kg / TS-162(L800): 7.1 kg / TS-162(AB52)(L1000): 9.4 kg

# Stand: TS-182 Motor: R1711

**Maximum Bit Capacity: 200 mm ( 8")**

## Applications and Features

- Simple single speed motor.
- Multi-position water swivel inlet for convenience.
- Right and left hand feed handle positions.
- Built-in on/off switch with low voltage drop-out and motor overload protection.
- Portable Residual Current Device (P.R.C.D.) automatically shuts off electricity in the event of electric leakage. (220-240V only)
- Includes water collector ring.
- Normal Stand Column: 800 mm (31") with 488 mm (19") stroke.  
Angle Drill AB52 Column: 1000mm (39") with 688mm (27") stroke.
- 50 x 50 mm (2" x 2") square column.
- Tool kit including wrenches and allen keys.



## Specifications

Height	803 mm / 1003 mm (AB52)
Base Size	158 x 217 mm / 146 x 205 mm (AB52)
Available Stroke	488 mm / 688 mm (AB52)
Rated Input	1,700 W
Voltage	AC 110-120 V / AC 220-240 V 50/60 Hz
Speed	1
Spindle Revolutions at No Load	700 rpm
Spindle Revolutions at Rated Load	510 rpm
Recommended Core Bit Diameter	50 - 200 mm
Spindle Thread	A-Rod only
Weight	R1711 motor: 7.0 kg / TS-182(L800): 9.4 kg / TS-182(AB52): 10.4 kg



AB52 swivel base available as option

# Stand: TS-252 Motor: R1721/R1722

## Maximum Bit Capacity: 250 mm (10") with 30 mm Spacer

### Applications and Features

- Ideal machine for middle size jobs.
- Multi-position water swivel inlet for convenience.
- Right and left hand feed handle positions.
- Built-in on/off switch with low voltage drop-out and motor overload protection.
- Portable Residual Current Device (P.R.C.D.) automatically shuts off electricity in the event of electric leakage. (220-240 V only)
- Two motor available: R1721 (Normal)/ R1722 (Small diameter).
- Includes water collector ring.
- Normal Stand Column: 800 mm (31") with 488 mm (19") stroke.  
Long Column: 1000 mm (39") with 688 mm (27") stroke.  
Angle Drill AB52 Column: 1000 mm (39") with 688 mm (27") stroke.
- 50 x 50 mm (2" x 2") square column.
- Tool kit including wrenches and allen keys.



AB52 swivel base available as option

### Specifications

Height	803 mm / 1003 mm / 1003 mm (AB52)
Base Size	158 x 217 mm / 146 x 205 mm (AB52)
Available Stroke	488 mm / 688 mm (L1003) / 688 mm (AB52)
Rated Input	1,700 W
Voltage	AC 110-120 V / AC 220-240 V 50/60 Hz
Speed	2
Spindle Revolutions at No Load	450/900 rpm (R1721) / 800/1300 rpm (R1722)
Spindle Revolutions at Rated Load	280/590 rpm (R1721) / 510/860 rpm (R1722)
Recommended Core Bit Diameter	60 - 250 mm (R1721) / 30 - 180 mm (R1722)
Spindle Thread	UNC 1 -1/4" / A-Rod
Weight	R1721/R1722 motor: 8.8 kg / TS-252(L800): 9.4 kg / TS-252(AB52):10.4 kg

# Stand: TS-402 Motor: R2221

**Maximum Bit Capacity: 400 mm (16") with 30 mm Spacer**

## Applications and Features

- Ideal machine for middle-large size jobs.
- Multi-position water swivel inlet for convenience.
- Right and left hand feed handle positions.
- Built-in on/off switch with and motor overload protection.
- Portable Residual Current Device (P.R.C.D.) automatically shuts off electricity in the event of electric leakage. (220-240 V only)
- Normal Stand Column: 1000 mm (39") with 618 mm (24") stroke.
- 60 x 60 mm (2-3/8" x 2-3/8") square column.
- Tool kit including wrenches and allen keys.



AB61 swivel base available as option

## Specifications

Height	1003 mm / 1003 mm (AB61)
Base Size	176 x 275 mm / 186 x 250 mm (AB61)
Available Stroke	618 mm
Rated Input	3,100 W (110-120 V) / 2,800 W (220-240 V)
Voltage	AC 110-120 V / AC 220-240 V 50/60 Hz
Speed	2
Spindle Revolutions at No Load	300 / 700 rpm
Spindle Revolutions at Rated Load	200 / 480 rpm
Recommended Core Bit Diameter	100 - 400 mm
Spindle Thread	UNC 1 -1/4" / A-Rod
Weight	R2221 motor: 12.7 kg / TS-402: 17.6 kg

# Stand: TS-403 Motor: R2231

**Maximum Bit Capacity: 400 mm (16") with 30 mm Spacer**

## Applications and Features

- Ideal machine which covers all range up to 400 mm core drilling jobs.
- Multi-position water swivel inlet for convenience.
- Right and left hand feed handle positions.
- Built-in on/off switch with and motor overload protection.
- Portable Residual Current Device (P.R.C.D.) automatically shuts off electricity in the event of electric leakage. (220-240V only)
- Normal Stand Column: 1000mm (39") with 618 mm (24") stroke.
- 60 x 60 mm (2-3/8" x 2-3/8") square column.
- Tool kit including wrenches and allen keys.



AB61 swivel base available as option

## Specifications

Height	1003 mm / 1003 mm (AB61)
Base Size	176 x 275 mm / 186 x 250 mm (AB61)
Available Stroke	618 mm
Rated Input	3,100 W (110-120V) / 2,800 W (220-240V)
Voltage	AC 110-120 V / AC 220-240 V 50/60 Hz
Speed	3
Spindle Revolutions at No Load	300 / 800 / 1400 rpm
Spindle Revolutions at Rated Load	210 / 580 / 1000 rpm
Recommended Core Bit Diameter	25 - 400 mm
Spindle Thread	UNC 1 -1/4" / A-Rod
Weight	R2231 motor: 13.6 kg / TS-403: 17.6 kg



# Stand: TS-402HD Motor: R2221/R2231

**Maximum Bit Capacity: 400 mm (16") with 30 mm Spacer**

## Applications and Features

- More rigidity than TS-402/403 drill stand.
- Back Brace and swivel top as standard accessories.
- Multi-position water swivel inlet for convenience.
- Right and left hand feed handle positions.
- Built-in on/off switch with and motor overload protection.
- Portable Residual Current Device (P.R.C.D.) automatically shuts off electricity in the event of electric leakage. (220-240V only)
- Normal Stand Column: 1200 mm (47") with 575 mm (22") stroke.
- 60 x 60 mm (2-3/8" x 2-3/8") square column.
- Tool kit including wrenches and allen keys.



## Specifications

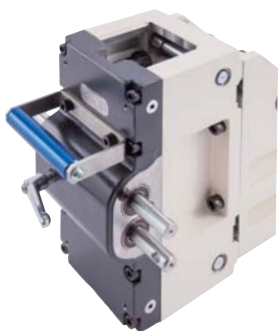
Height	1205 mm
Base Size	300 x 508 mm
Available Stroke	575 mm
Rated Input	3,100 W (110-120V) / 2,800 W (220-240V)
Voltage	AC 110-120 V / AC 220-240 V 50/60 Hz
Speed	2 (R2221) / 3 (R2231)
Spindle Revolutions at No Load	300/700 rpm (R2221) 300/800/1400 rpm (R2231)
Spindle Revolutions at Rated Load	200/480 rpm (R2221) 210/580/1000 rpm (R2231)
Recommended Core Bit Diameter	100 - 400 mm (R2221) / 25 - 400 mm (R2231)
Spindle Thread	UNC 1 -1/4" / A-Rod
Weight	R2221 motor: 12.7 kg / R2231 motor: 13.6 kg / TS-402HD: 33 kg

## Stand: TS-603 Motor: R2531

Maximum Bit Capacity: 600 mm (24") with 130 mm Spacer

### Applications and Features

- Ideal machine for large diameter core drilling jobs.
- Multi-position water swivel inlet for convenience.
- Right and left hand feed handle positions.
- Built-in on/off switch with and motor overload protection.
- Portable Residual Current Device (P.R.C.D.) automatically shuts off electricity in the event of electric leakage. (220-240 V only)
- Normal Stand Column: 1100mm (43") with 625 mm (24") stroke.
- 73 x 73 mm (2-7/8" x 2-7/8") square column.
- Positive carriage lock.
- Tool kit including wrenches and allen keys.

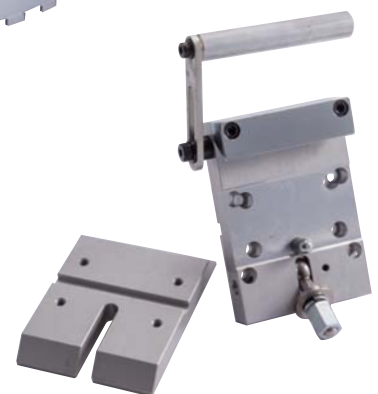


Four-sided roller carriage for smooth and stable drilling.

1:1 direct gear & 1:2.4 reduction gear shaft.

### Specifications

Height	1106 mm
Base Size	230 x 400 mm
Available Stroke	625 mm
Rated Input	3,100 W (110-120 V) / 2,800 W (220-240 V)
Voltage	AC 110-120 V / AC 220-240 V 50/60 Hz
Speed	3
Spindle Revolutions at No Load	150 / 300 / 600 rpm
Spindle Revolutions at Rated Load	105 / 210 / 420 rpm
Recommended Core Bit Diameter	110 - 600 mm (4" - 24")
Spindle Thread	UNC 1 -1/4" / A-Rod
Weight	R2531 motor: 19.2 kg TS-603: 42.9 kg



Quick release spacer (standard accessory) enables easy mounting/dismounting of the motor.

## Hand Held Drill Motor: RH1531

Hand Held Bit Capacity: 65 mm (2-3/8")



### Applications and Features

- Compact three-speed gear box with high, medium, and low speed.
- Only 6.5 Kg (15 lbs).
- D-style handle for ergonomic control.
- Multi-position front handle.
- Built-in on/off switch with low voltage drop-out and motor overload protection.
- Portable Residual Current Device (P.R.C.D.) automatically shuts off electricity in the event of electric leakage.
- Tool kit including a wrench.
- Optional spindle adaptors for each countries' circumstances.

- Two Spirit Levels
- Variable speed trigger for hand held use



Switches for rig mounted mode

### Specifications

Rated Input	1,500 W
Voltage	AC 110-120 V / AC 220-240 V 50/60 Hz
Speeds	3
Spindle Revolutions at No Load	800/2000/4150 rpm
Spindle Revolutions at Rated Load	560/1400/2900 rpm
Recommended Core Bit Diameter in Handheld Mode	14.5 to 65 mm (1/2" to 2-3/8")
Recommended Core Bit Diameter inRig Mounted Mode	14.5 to 180 mm (1/2" to 7")
Spindle Thread	G1/2" (BSPP1/2")
Weight	6.5 kg (15 lbs)



Carry case and tools included.

# Stand: TSH-163 Motor: RH1531

**Rig Mounted Bit Capacity: 180 mm (7")**

## Applications and Features

- Ideal machine for the professionals who need hand held core drill and rig mounted core drill at the same time.
- Compact three-speed gear box with high, medium, and low speed.
- Built-in on/off switch with low voltage drop-out and motor overload protection.
- Portable Residual Current Device (P.R.C.D.) automatically shuts off electricity in the event of electric leakage.
- Normal Stand Column: 1000 mm (39") with 748 mm (29") stroke.
- 50 x 50 mm (2" x 2") square column.
- Right and left hand feed handle positions.
- 2 way mounting method:
  - 30 mm Bolt-on Spacer
  - Clamp Ring Spacer
- Tool kit including wrenches, allen keys, and core removal wedge lasso.
- Optional spindle adaptors for each countries' circumstances.



## Specifications

Angle Drill Stand AB52, Column Length 1000 mm  
with 30 mm Bolt-on Spacer

Rated Input	1,500 W
Voltage	AC 110-120 V / AC 220-240 V 50/60 Hz
Speeds	3
Spindle Revolutions at No Load	800/2000/4150 rpm
Spindle Revolutions at Rated Load	560/1400/2900 rpm
Recommended Core Bit Diameter in Handheld Mode	14.5 to 65 mm (1/2" to 2-3/8")
Recommended Core Bit Diameter in Rig Mounted Mode	14.5 to 180 mm (1/2" to 7")
Spindle Thread	G1/2" (BSPP1/2")
Weight	RH1531 motor: 6.5 kg TSH-163: 9.2 kg TSH-163(AB52): 10.5 kg
Height	1003 mm
Base Size	146 x 205 mm
Available Stroke	748 mm

Fixed Drill Stand, Column Length 1000 mm  
with Clamp Ring Spacer

## Automatic Feeding System: AFS-V



### Applications and Features

- Feeds the drill motor automatically.
- Detects the load of the drill motor and automatically adjust the feeding speed.
- Mountable on both right and left side of the carriage block.
- Automatically shuts off when the core bit penetrates the working material.

### Important Note

- This product is NOT CE certified.
- Always keep eyes on the machine during operations.  
Never leave the machine running alone.  
In emergency, always stay at the position where the operator can stop the machine immediately.

### Specifications

Voltage	AC 100-120 V / AC 220-240 V 50/60 Hz
Rated Input	40 W
Weight	6.9 kg (15.2 lbs)
Dimension	196 (W) x 258 (L) x 268 (H)
Applicable Model	TS-252/R1721 TS-252PRO/R2021 TS-402/R2221 TS-403/R2231



Setting example  
Motor, stand, and bit are not included in this item.

## Standard Tool Kits

**TS-092(AB42)**

- Allen Key 4 and 5 mm
- Double-End Spanner 13 x 17 mm
- Single-End Spanner 32 and/or 36 mm
- Core Removal Wedge Lasso
- 3/8" Square Washer Threaded Bolt, Nut
- Spindle Adaptor (Option)

**TS-132 / TS-162**

- Allen Key 4 and 6 mm
- Double-End Spanner 17 x 19 mm (AB52) or 13 x 17 mm
- Single-End Spanner 32 mm or 36 mm
- Core Removal Wedge Lasso
- 3/8" Square Washer Threaded Bolt, Nut

**TS-182 / TS-252**

- Allen Key 4 and 6 mm
- Double-End Spanner 17 x 19 mm (AB52)
- Single-End Spanner 21 mm (Fixed version) and 36 mm
- Core Removal Wedge Lasso
- 3/8" Square Washer Threaded Bolt, Nut

**TS-402 / TS-403**

- Allen Key 4 and 6 mm
- Ratchet Wrench 19 x 21 mm
- Single-End Spanner 36 mm
- Nut Driver 7 mm
- Core Removal Wedge Lasso
- W1/2" Square Washer Threaded Bolt, Nut

**TS-402(AB61) / TS-403(AB61)**

- Allen Key 4, 6, 8, 10 mm
- Ratchet Wrench 19 x 21 mm
- Ring Wrench 19 x 21 mm
- Single-End Spanner 36 mm
- Nut Driver 7 mm
- Core Removal Wedge Lasso
- W1/2" Square Washer Threaded Bolt, Nut

**TS-603**

- Allen Key 5, 6, 8 mm
- Ratchet Wrench 19 x 21 mm
- Double-End Spanner 19 x 21 mm
- Single-End Spanner 24, 36 mm
- Core Removal Wedge Lasso
- W1/2" Square Washer Threaded Bolt, Nut

## Optional Accessories

### Water Collection Rings

- Avoids splash of concrete slurry.
- Available size: • 110/160/180/200 mm
  - 4/6/8/10/12/14/16/18/20/24"



### Water Collection Rings WCR-130/180

- Using with vacuum cleaner, WCR-130 and 180 can stick to desired position without using water collection ring fixing devices.
- Standard accessory for TS-092/R10XX, TS-132/R15XX, TS-162/R15XX, TS-182/R17XX, and TS-252/R17XX.



• Figure of attached water collection ring and its fixture.

### Water Collection Ring Fixtures

Fixes water collection rings to the material to be drilled.

- Available size: • 4" to 8" for TS-252 50 x 50 mm column
- 4" to 10" for TS-252 50 x 50 mm column
  - 4" to 8" for TS-402/403 60 x 60 mm column
  - 10" to 12" for TS-402/403 60 x 60 mm column
  - 14" to 18" for TS-402/403 60 x 60 mm column

## Optional Accessories

### Vacuum Pads

Without using anchors, it enables mounting of core drill machines to concrete surface using a vacuum pump.

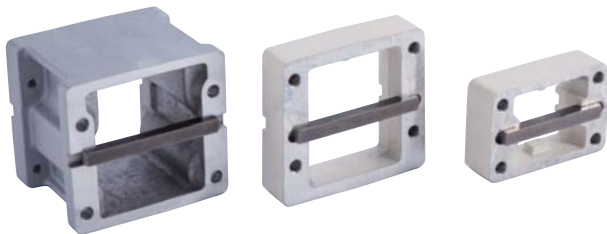
Available size: • XS for TS-092

- S for TS-092/132/162
- L for TS-092/132/162/182/252
- XL for TS-092/132/162/182/252/402/403



### Caution!

- Never use the vacuum pads for drilling in unstable positions such as on vertical walls and on the ceiling.
- Use a vacuum pump which suction power is enough to maintain vacuum degree of -0.08 to -0.1MPa (-0.8 to -1bar, -60 to -75cmHg, or -23 to -29inHg).



### Spacers

Enables installing larger diameter core bits, by attaching spacers between the drill motor and the carriage block.

- 30 mm for TS-252
- 30, 60, and 100 mm for TS402/403

### Water tank

For the working sites where there is no water line.

- Water capacity: 14 liters
- High quality stainless steel
- Manual pressure type



### Quick release spacer

Enables quick and easy mounting/dismounting of the drill motor.

- Model for TS-252
- Model for TS-402/403/603



### Vacuum pump

(This product is NOT CE certified.)

Best matching with SHIBUYA vacuum pads.

2 liters reserve tank equipped.

Specification:

- AC 100-120V 2A / 220-240V 1A 50/60Hz
- Maximum vacuum degree: -0.09 MPa
- Pumping Speed: 40 - 45 L/min
- Size: W202 x L308 x H317 mm
- Weight: 13.1 kg





# 1 Piece Wet Core Bit: YS-1



## Specifications

Outer Diameter	Max Drilling Depth	Spindle Thread
28 mm	370 mm	A-Rod or UNC 1 -1/4"
32 mm	370 mm	A-Rod or UNC 1 -1/4"
40 mm	370 mm	A-Rod or UNC 1 -1/4"
52 mm	370 mm	A-Rod or UNC 1 -1/4"
65 mm	370 mm	A-Rod or UNC 1 -1/4"
70 mm	370 mm	A-Rod or UNC 1 -1/4"
75 mm	370 mm	A-Rod or UNC 1 -1/4"
80 mm	370 mm	A-Rod or UNC 1 -1/4"
90 mm	370 mm	A-Rod or UNC 1 -1/4"
100 mm	370 mm	A-Rod or UNC 1 -1/4"
110 mm	370 mm	A-Rod or UNC 1 -1/4"

Outer Diameter	Max Drilling Depth	Spindle Thread
120 mm	370 mm	A-Rod or UNC 1 -1/4"
130 mm	370 mm	A-Rod or UNC 1 -1/4"
150 mm	370 mm	A-Rod or UNC 1 -1/4"
160 mm	370 mm	A-Rod or UNC 1 -1/4"
180 mm	370 mm	A-Rod or UNC 1 -1/4"
200 mm	370 mm	A-Rod or UNC 1 -1/4"
210 mm	350 mm	A-Rod or UNC 1 -1/4"
230 mm	350 mm	A-Rod or UNC 1 -1/4"
250 mm	350 mm	A-Rod or UNC 1 -1/4"
260 mm	350 mm	A-Rod or UNC 1 -1/4"
310 mm	350 mm	A-Rod or UNC 1 -1/4"

Three kinds of segment bonds available:

- YS-1: Balanced Type
- YS-1B: Faster Cutting Speed / Shorter Life
- YS-1H: Longer Life / Slower Cutting Speed

For outer diameter 45, 48, 52, 65, 75, 80, 90, 110, 130, 160, 180, and 210 mm, max drilling depth: 420 mm version available.

## 3 Piece Wet Core Bit: SSS



Five kinds of segment bonds available:

2H    H    HB    B    2B  
 Hardest → Medium → Softest

### Specifications

Outer Diameter	Effective Drilling Depth
1"	34 mm
1-1/4"	34 mm
1-1/2"	35 mm
2"	35 mm
2-1/2"	40 mm
3"	40 mm
3-1/2"	40 mm
4"	70 mm
5"	70 mm
6"	70 mm
7"	70 mm
8"	70 mm
9"	70 mm
10"	70 mm
11"	70 mm
12"	70 mm

### Specifications

Diameter	Effective Drilling Depth
1"	295 mm
1-1/4"	295 mm
1-1/2"	285 mm
2"	285 mm
2-1/2"	280 mm
3"	280 mm
3-1/2"	280 mm
4"	250 mm
5"	250 mm
6"	250 mm
7"	250 mm
8"	250 mm
9"	250 mm
10"	250 mm
11"	250 mm
12"	250 mm



### Specifications

Diameter	Effective Drilling Depth	Spindle Thread
1"	0 mm	A-Rod or UNC 1 -1/4"
1-1/4"	0 mm	A-Rod or UNC 1 -1/4"
1-1/2"	0 mm	A-Rod or UNC 1 -1/4"
2"	42 mm	A-Rod or UNC 1 -1/4"
2-1/2"	42 mm	A-Rod or UNC 1 -1/4"
3"	42 mm	A-Rod or UNC 1 -1/4"
3-1/2"	42 mm	A-Rod or UNC 1 -1/4"
4"	42 mm	A-Rod or UNC 1 -1/4"
5"	42 mm	A-Rod or UNC 1 -1/4"
6"	42 mm	A-Rod or UNC 1 -1/4"
7"	42 mm	A-Rod or UNC 1 -1/4"
8"	42 mm	A-Rod or UNC 1 -1/4"
9"	42 mm	A-Rod or UNC 1 -1/4"
10"	42 mm	A-Rod or UNC 1 -1/4"
11"	42 mm	A-Rod or UNC 1 -1/4"
12"	42 mm	A-Rod or UNC 1 -1/4"



## Large Wet Core Bit: D U S L



### Specifications

Outer Diameter	Max Drilling Depth	Spindle Thread
350 mm	500 mm	A-Rod or UNC 1 -1/4"
400 mm	500 mm	A-Rod or UNC 1 -1/4"
450 mm	500 mm	A-Rod or UNC 1 -1/4"
500 mm	500 mm	A-Rod or UNC 1 -1/4"
600 mm	500 mm	A-Rod or UNC 1 -1/4"





# THE SAMURAI DRILL SHIBUYA

**SHIBUYA COMPANY, LTD.**

5-86 Mokuzaiko-kita, Hatsukaichi, Hiroshima 738-0021 JAPAN  
[www.shibuya-group.co.jp](http://www.shibuya-group.co.jp)

Copyright © 2014 Shibuya Company, Ltd. All rights reserved. Shibuya and other product and feature marks are trademarks of Shibuya Company, Ltd. The data contained in this brochure was current as of the date of publication. Specifications and products appearances are subject to change without prior notice. All values on this brochure represent the results of testing by Shibuya or test organizations. On-site testing is necessary to determine performance at any specific sites because of variation in working materials.